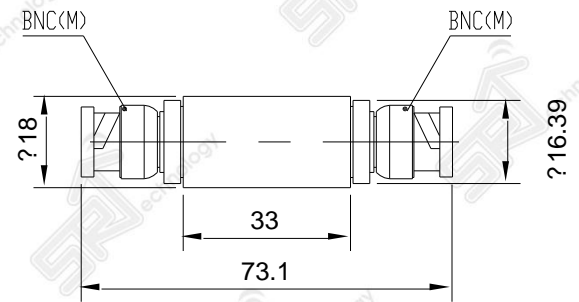


## BNC(m) 50 Ω \* BNC(m) 75Ω Impedance Converter

P.N. : L22-A1101-01

### Electrical specification

Item	Specification
Frequency range(MHz)	DC ~ 1,000 MHz
Output Power	2W
Return Loss	≥30dB
Insertion loss	5.7dB Max
Typical Flatness	≤0.1dB
Connector type	BNC male (50Ohm) – BNC male (75Ohm)
Operating Temperature Range	-10°C ~ 50°C
RoHS	Compliance



### Material specification

Item	Specification
Center Contact	Brass / Gold plating
Body	Brass / Nickel plating
Insulator	PTFE
Dimension	Φ18* 73.1mm
Weight	65g