

DC BLOCK

The Best Wireless Solution!

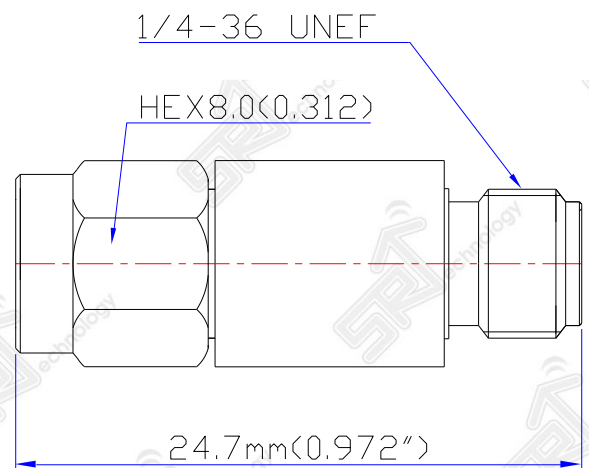
SMA DC BLOCK 6GHz (Inner)

P.N. : H01-A0006-03



Electrical specification

Item	Specification
Frequency range	10MHz ~ 6.0 GHz
Impedance (Nominal)	50Ω
V.S.W.R (Max)	1.20 : 1
Insertion loss	0.45dB Max
Voltage	50 V
Connector type	SMA male – female
RoHS	Compliance



Material specification

Item	Specification
Center Contact (pin)	Brass, Beryllium copper / Gold plating
Body	SUS / Passivated.
Insulator	PTFE

Electrical performance

