

# Attenuator

The Best Wireless Solution!

## N 30watt 30dB 3GHz Attenuator

P.N. : F04-G0330-01

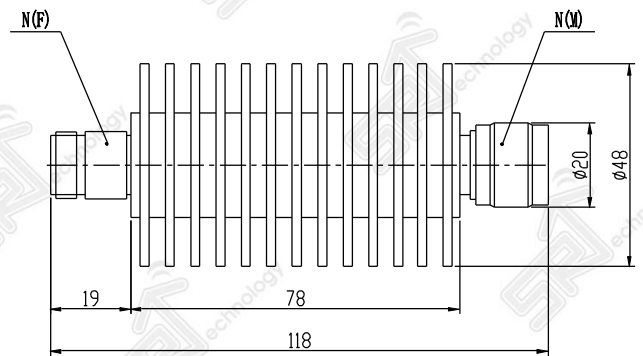
### Products feature

- Reliable Attenuation & V.S.W.R
- Easy maintenance
- Wide broadband frequency application
- Directional 30 watt rating

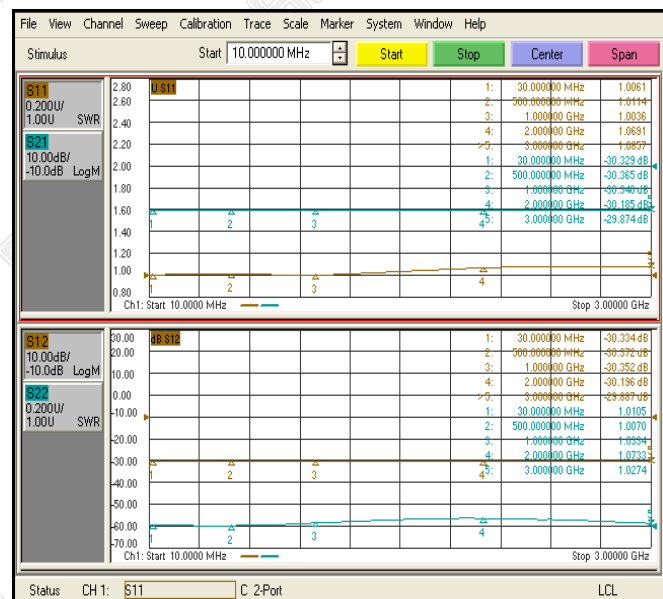


### Electrical specification

Item	Specification
Frequency range	DC ~ 3.0 GHz
Impedance (Nominal)	50Ω
Average Power rating	30 watt
Peak Power(5 μs)	1 KW
Attenuation	30 dB +/- 1.0dB/max
V.S.W.R (Max)	1.20 : 1
Connector type	N male(Input) – female(Output)



### Electrical performance



### Material specification

Item	Specification
Dimension	Φ48*118mm
Temperature Range	-55°C ~ 85°C
Weight	0.4 Kg