

Attenuator

The Best Wireless Solution!

N 10watt 20dB 3GHz Attenuator

P.N. : F04-D0320-01

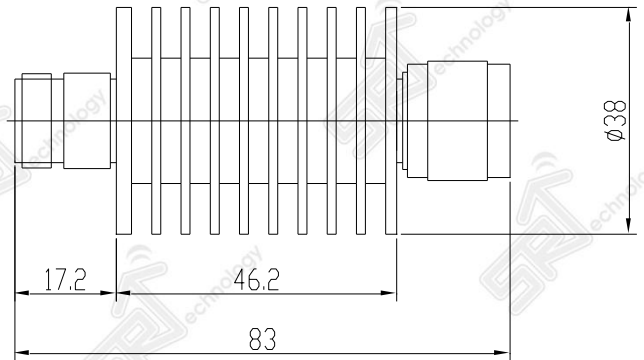
Products feature

- Reliable Attenuation and V.S.W.R
- Easy maintenance
- Wide broadband frequency application
- Directional 10 watt rating

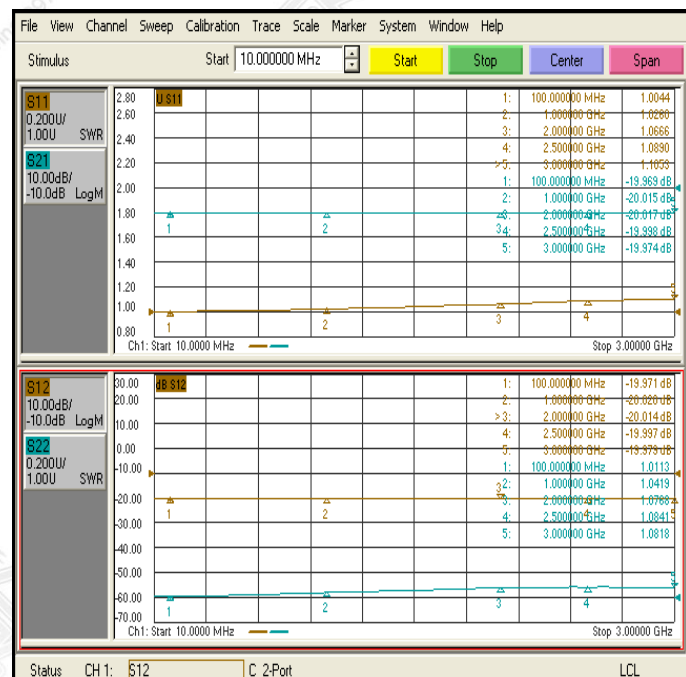


Electrical specification

Item	Specification
Frequency range	DC ~ 3GHz
Impedance (Nominal)	50Ω
Power rating	10 watt
Attenuation	20 dB +/- 1.0dB/max
V.S.W.R (Max)	1.30: 1
Connector type	N male(Input) – female(Output)



Electrical performance



Material specification

Item	Specification
Dimension	Φ38*83mm
Temperature Range	-55°C ~ 85°C
Weight	0.120 Kg