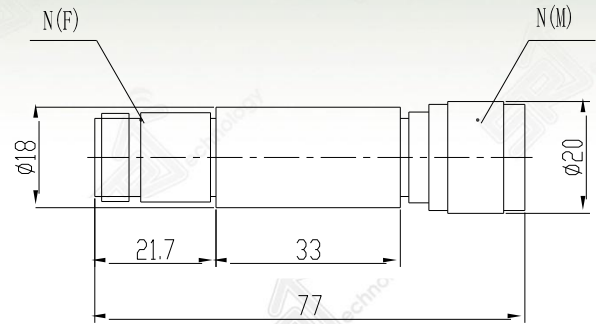


N 2watt 30dB 18GHz Attenuator

P.N. : F04-B1830-01

Products feature

- Reliable Attenuation & V.S.W.R
- Easy maintenance
- Wide broadband frequency application
- Directional 2 watt rating



Electrical specification

Item	Specification
Frequency range	DC ~ 18.0 GHz
Impedance (Nominal)	50 Ω
Average Power rating	2 Watt
Peak Power(5 μ s)	0.5 KW
Attenuation	30 dB +/- 1.5dB/max
V.S.W.R (Max)	1.40 : 1
Connector type	N male(Input) – female(Output)

Material specification

Item	Specification
Dimension	$\phi 20 \times 77$ mm
Temperature Range	-55 $^{\circ}$ C ~ 85 $^{\circ}$ C
Weight	0.08 Kg