

Attenuator

The Best Wireless Solution!

SMA 10watt 30dB 12.4GHz Attenuator

P.N. : F01-D1230-01

Products feature

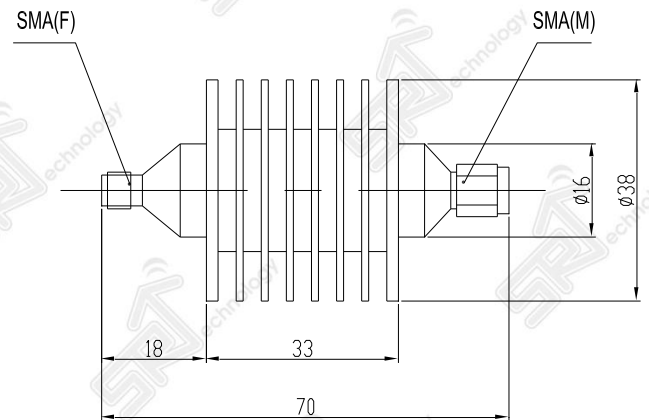
- Reliable Attenuation & V.S.W.R
- Easy maintenance
- Wide broadband frequency application
- Directional 10 watt rating

Electrical specification

Item	Specification
Frequency range	DC ~ 12.4 GHz
Impedance (Nominal)	50Ω
Average Power rating	10 watt
Peak Power(5 μs)	1 KW
Attenuation	30 dB +/- 1.0 dB/max
V.S.W.R (Max)	1.35 : 1
Connector type	SMA male(Input) – female(Output)

Material specification

Item	Specification
Dimension	Φ38*70 mm
Temperature Range	-55°C~ 85°C
Weight	115 g



Electrical performance

