

N Male 2Watt 6GHz Termination

P.N. : E04-A0206-01

Products feature

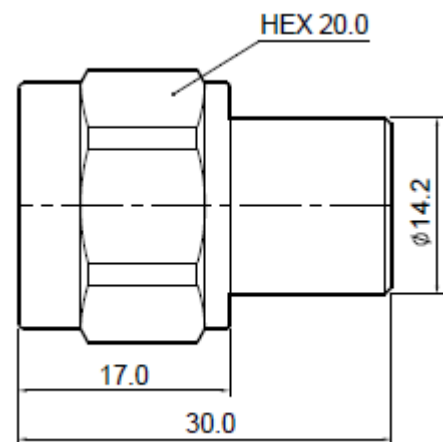
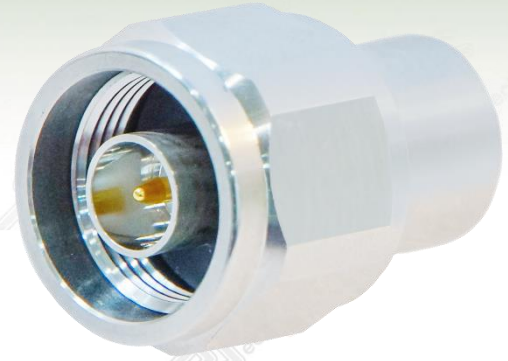
- Reliable V.S.W.R
- Easy maintenance
- Wide broadband frequency application

Electrical specification

Item	Specification
Frequency range	DC ~ 6.0 GHz
Impedance (Nominal)	50Ω
Power rating	2Watt
V.S.W.R (Max)	1.20 : 1
Connector type	N male
Operating Temperature	-65°C ~ +85°C
RoHS	Compliance

Material specification

Item	Specification
Body	Brass / Ternary plating
Coupling Nut	Brass / Ternary plating
Center Contact	Brass / Gold plating



Electrical performance

