

2.92mm Connector

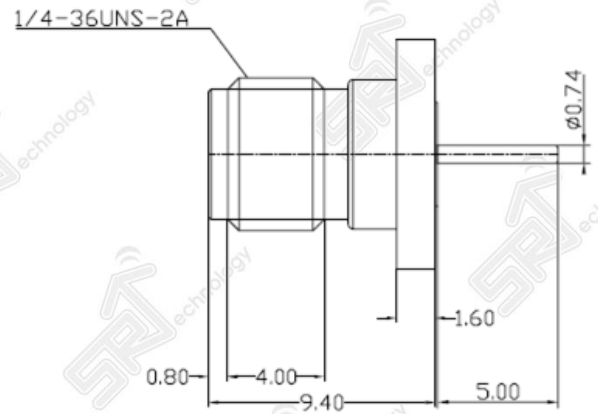
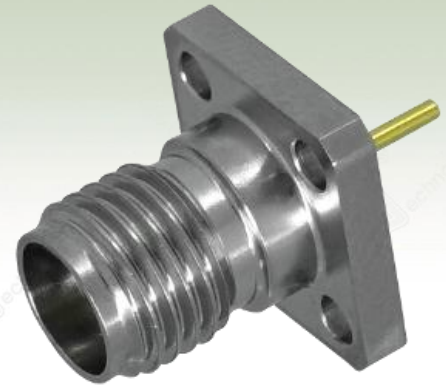
The Best Wireless Solution!

2.92mm Female 4Hole, SQ 9.53mm

P.N. : A16-F2002-03

Electrical Specification

Item	Specification
Frequency range	DC~40GHz
Impedance	50 Ω
Insulation Resistance	5,000 MΩ Min
RF Leakage	-90dBm Min., 2~3GHz
V.S.W.R.	1.20 : 1
Corrosion	MIL-STD-202
Vibration	MIL-STD-202
Shock	MIL-STD-202
Moisture Resistance	MIL-STD-202
Temperature	-40°C ~ +100°C
RoHS	Compliant



Material Specification

Item	Specification
Body	Stainless Steel / Passivated
Center contact	Be-Cu / Gold plating
Insulator	Special Dielectric

