

N Connector

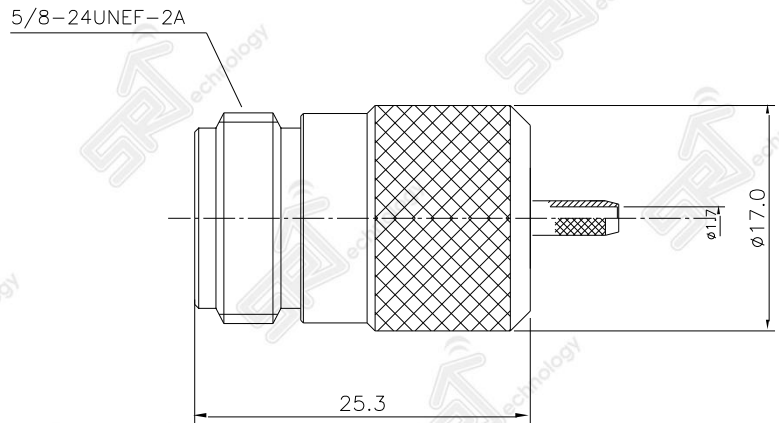
The Best Wireless Solution!

N Female RG316

P.N. : A04-F1113-01

Electrical Specification

Item	Specification
Frequency range	DC~3GHz
Impedance	50 Ω
V.S.W.R.	1.20
Contact Current	DC 3.5A Max
Working Voltage	1000V rms
Insulation Resistance	5,000 MΩ Min
Connector Retention	500 Cycles Min
Interface	MIL-C-39012
Vibration	MIL-STD-202
Shock	MIL-STD-202
RoHS	Compliance



Material Specification

Item	Specification
Body & Coupling Nut	Brass / Nickel plating
Center contact	Beryllium / Gold plating
Insulator	PTFE
Ferrule	Brass / Nickel plating