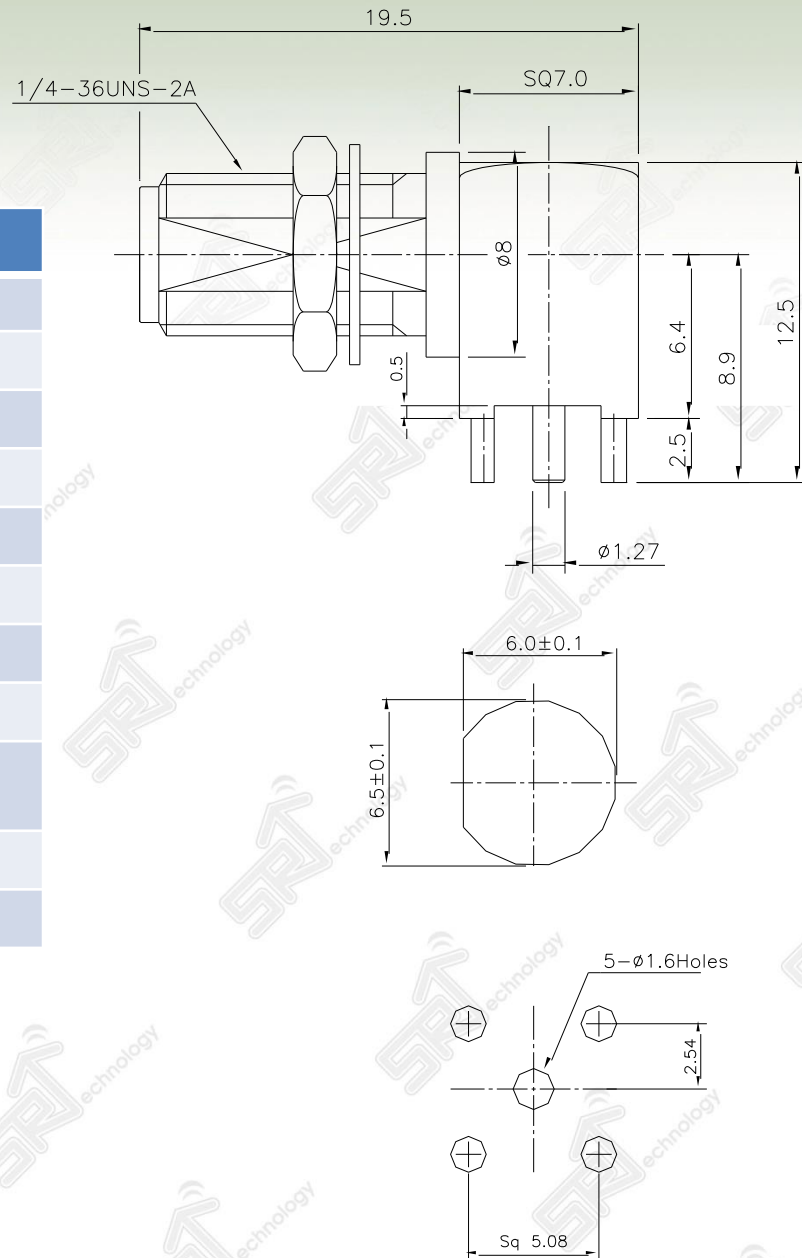


## SMA Female BH RA PCB

P.N. : A01-F2004-20

### Electrical Specification

| Item                  | Specification       |
|-----------------------|---------------------|
| Frequency range       | DC~18GHz            |
| Impedance             | 50 Ω                |
| Insulation Resistance | 5,000 MΩ Min        |
| RF Leakage            | -60dBm Min., 2~3GHz |
| Interface             | MIL-C-39012         |
| Vibration             | MIL-STD-202         |
| Shock                 | MIL-STD-202         |
| Durability            | 500 Mating          |
| Coupling Nut Torque   | 12 Ncm – 170 Ncm    |
| Temperature           | -65°C ~ +85°C       |
| RoHS                  | Compliance          |



### Material Specification

| Item                | Specification        |
|---------------------|----------------------|
| Body & Coupling Nut | Brass / Gold plating |
| Center contact      | Be-Cu/ Gold plating  |
| Insulator           | PTFE                 |