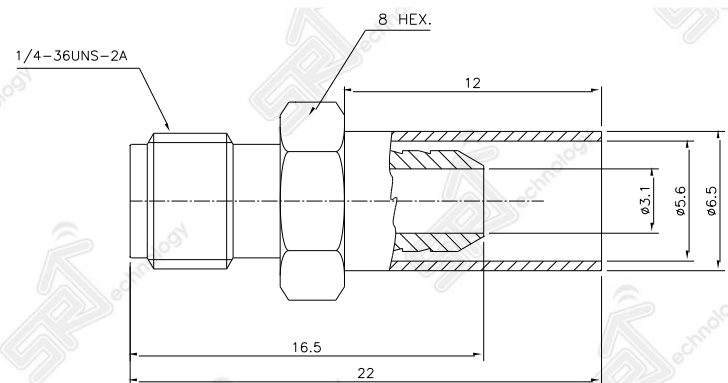


SMA J RG58, RG223, RG 400, LMR200

P.N. : A01-F1101-02

Electrical Specification

Item	Specification
Frequency range	DC~18GHz
Impedance	50 Ω
Insulation Resistance	5,000 MΩ Min
RF Leakage	-60dBm Min., 2~3GHz
Interface	MIL-C-39012
Vibration	MIL-STD-202
Shock	MIL-STD-202
Durability	500 Mating
Coupling Nut Torque	12 Ncm – 170 Ncm
Temperature	-65°C ~ +85°C
RoHS	Compliance



Material specification

Item	Specification
Connector Body	Brass / Gold plating
Center Contact	Be-Cu / Gold plating
Insulator	PTFE